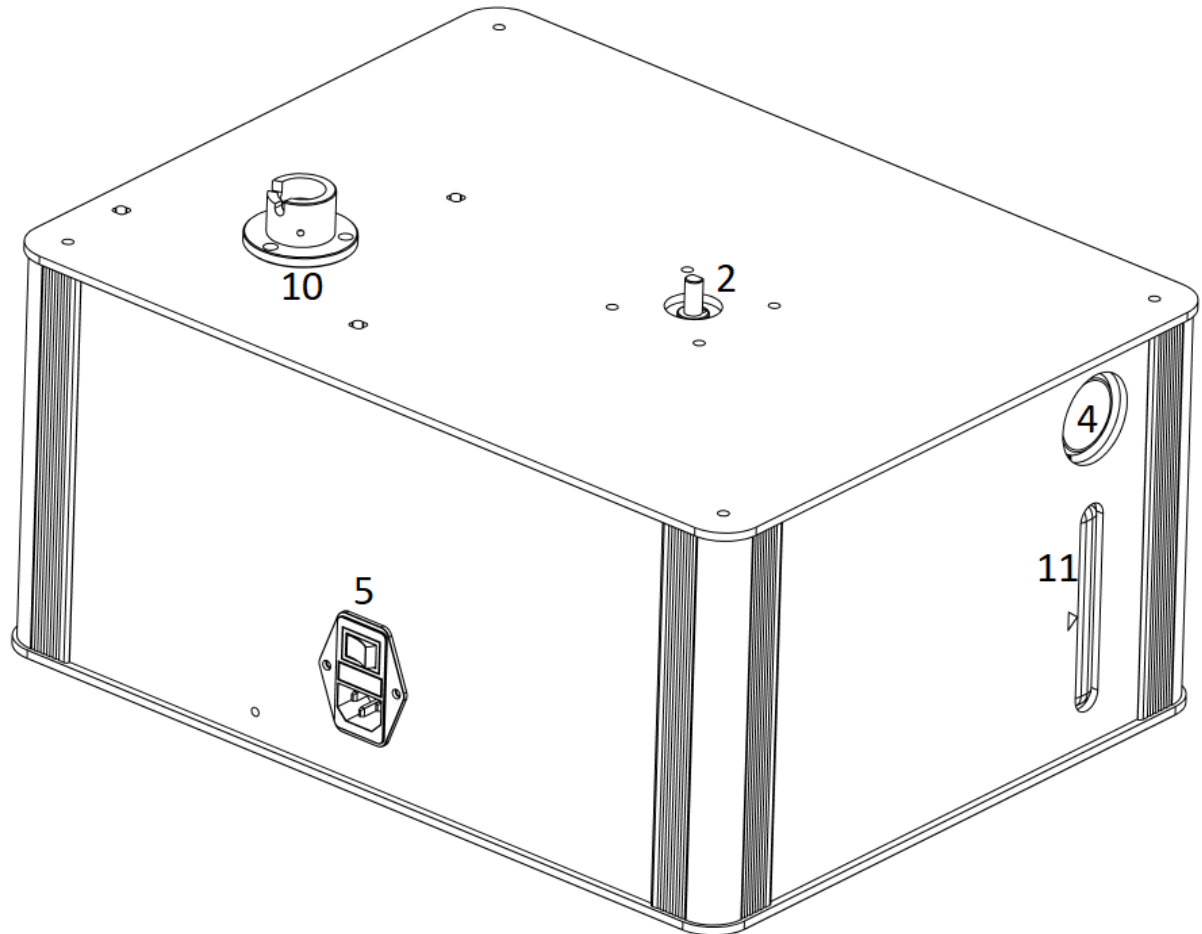
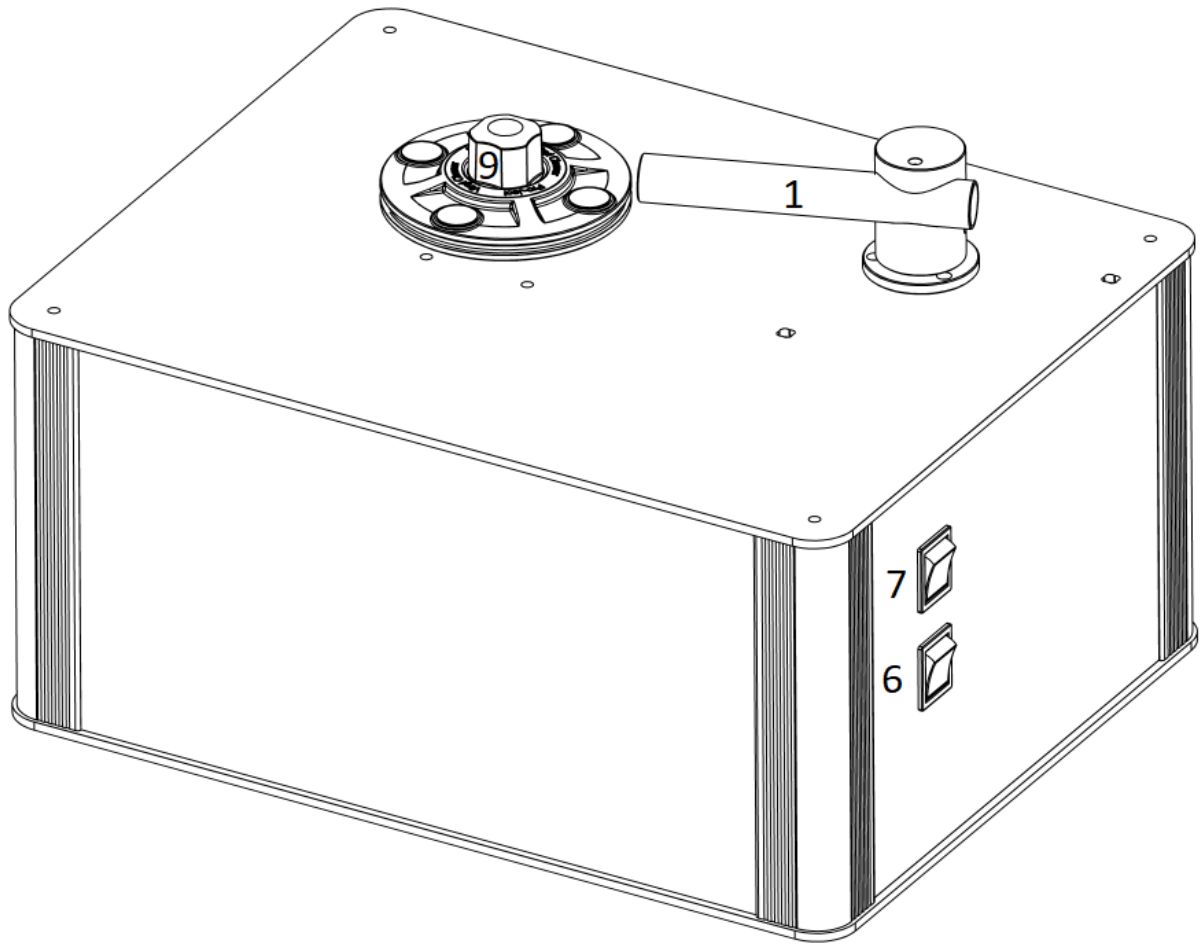
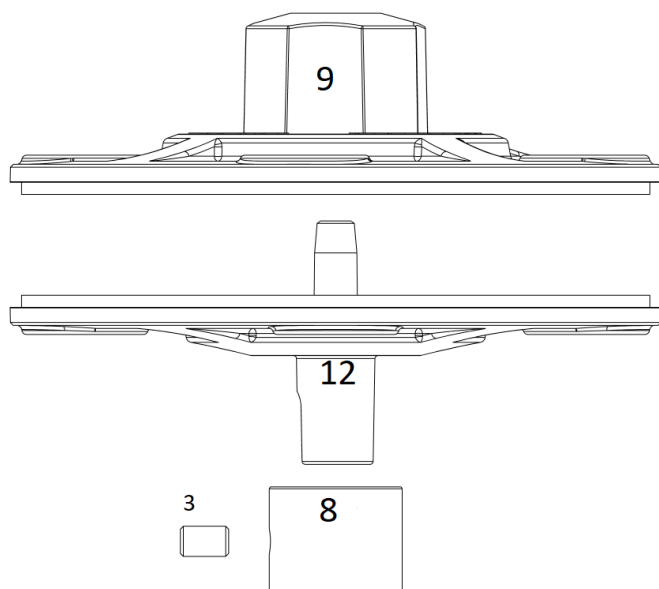




INSTRUCTIONS FOR USE
Pro-Ject VC-S3





Pro-Ject VC-S3

Controls, features and connections

- | | |
|----|--|
| 1 | Vacuum arm* (adhesive velvet strips attached) |
| 2 | Motor shaft |
| 3 | Hexagon screw for fastening the platter |
| 4 | Ventilation outlet grille and drain hole |
| 5 | Main switch with mains power cord socket |
| 6 | Vacuum on/off switch |
| 7 | Motor on/off direction switch |
| 8 | Motor shaft bushing |
| 9 | Magnetic clamp* with self-adhesive record label seal |
| 10 | Vacuum arm flange |
| 11 | Water level gauge |
| 12 | Record platter (bottom part of the clamp) |

Accessories (included, but not shown above)

- Wash it 2 vinyl cleaning fluid, 100ml bottle**
- Goat hair brush*
- Replacement adhesive strips for vacuum arm*
- AC power cord*
- Drain insert (spout)*
- 2.5mm hexagon key*

Optional accessories (available on request)

- Wash it 2 cleaning fluid, bottle sizes: 250ml/500ml/1l (1l \cong 166 records / both sides)
- Goat hair brush
- Adhesive strips for vacuum arm

Dear music lover,

Thank you for purchasing a Pro-Ject Audio Systems record cleaning machine.

In order to achieve maximum performance and reliability, please study these instructions carefully.



Warning of a hazard for the user, the unit or possible misuse.



Important notice.

During assembly and adjustment small parts can be easily lost if they are not carefully placed in a suitable receptacle. Before beginning assembly, please familiarize yourself with the parts listed above which are correspondingly numbered in the technical diagram. Separately packed items are marked with an asterisk*.

Safety instructions

This appliance is not to be used by persons (including children) with reduced physical, sensory or mental capabilities, or lack of experience and knowledge, unless they have been given supervision or instruction.

AC outlet voltages vary from country to country. Before connecting to your wall outlet, make sure that the voltage in your area meets the voltage requirements printed on the device.

Hold the end of the plug when unplugging the power cord. Never handle the power cord while your hands are wet or damp.

Never place any open flame sources, like burning candles, on or near the device. Do not operate in damp or wet locations, such as near to a bathtub, sink, swimming pool or any other similar locations.

Keep plastic bags away from children to prevent any risk of suffocation.

Do not cover any ventilation holes (one is located on the left side and others are on bottom).

During operation this unit will generate loud noises, so we recommend the use of hearing protectors during longer cleaning sessions. Check the unit after transportation for signs of damage, if a damage is found, do not operate the unit and contact your dealer!

The unit is capable of long time running however in such case platter spindle may get hot and whole platter/clamp area as well as air coming out from the unit may get warm. The temperature of the platter can't damage vinyl records. In order to keep the temperature as low as possible do not expose the unit to direct sunlight.

Motor should not be turned on when not cleaning your records. Extended running time outside of the guideline process can cause over-heating.



Setting up the unit

The unit is supplied assembled with the exception of the platter and vacuum arm which are packed separately. Remove all parts from the transport packaging carefully. Please see the diagram above for assembly instructions. Place the motor shaft bushing (8) on the motor shaft (2), Fasten the platter (12) to the motor shaft with the hexagon screw (3) in the bottom part of the platter – the height of the platter is determined by the bushing (8) sitting directly on the motor shaft under the platter.



This product is only for non-commercial use.

Using the unit

Please ensure that all assembly and set up steps have been followed as outlined in this manual. All 3 rocker switches ("main switch", "motor" and "vacuum" should be in position "0"). Connect the power cord to the socket on the rear side of the VC-S3 and turn the main switch to the "I" position.

Place a record on the platter and put the magnetic clamp on top it.

While the record is turning apply just enough of ready-to-use cleaning fluid (3ml per side) to the record while holding the brush horizontally and gently pressing against the record, spread the fluid across the surface of the record. Use only the necessary amount of fluid, enough to cover the record, not the machine!



Do not use cleaning fluids from other suppliers. Use only so little fluid that it is not regularly getting on the surface of the machine. If this happens remove the excess fluid with a tissue.



Cleaning efficiency can be significantly improved by applying appropriate force on the cleaning brush. Even more cleaning improvement can be achieved by using warmed-up **Wash It 2** cleaning fluid. **Wash It 2** can be warmed in a microwave oven up to 40 degrees Celsius, please check temperature to avoid record damage. **Wash It 2** is non-flammable and non-toxic. Please note that you are doing all this at your own risk.

The motor can turn in both directions or can be stopped during the application of the fluid, depending on your personal preference. To change direction, choose the "I" position for clockwise rotation or to the "II" position for counter-clockwise rotation.

It is recommended that you use the brush to spread the Wash it 2 cleaning fluid on the record in both directions before vacuuming. For better dissolving of impurities, wait a few seconds (longer in the case of heavily soiled records) before starting the vacuuming process.

Once the fluid covers the entirety of the record, turn the motor switch to the "I" position (if not already at that position) and place the vacuum arm above the record pointing at the spindle until it reaches its lock position. Turn the Vacuum motor to the "I" position at the same time as you set the arm down onto the record. After the cleaning fluid has been thoroughly vacuumed, switch off the vacuum, followed by the motor (we recommend one rotation on the "I" setting and afterwards another rotation on the "II" setting). Return the vacuum arm into its rest position and wait a few seconds for the record to dry thoroughly. Remove the clamp, turn the record over and repeat steps for the opposite side of the record.



Keep in mind, the felt strips on the vacuum arm collect liquid and get wet as you clean many records in a row. Dry the strips with a clean piece of microfibre cloth or let them dry by air, if you intend to do longer cleaning sessions! Cleaning tips: use minimum necessary amount of Wash it 2; maximum of 2 rotations of vacuuming the liquid per record.



The VC-S3 is equipped with automatic overheating protection, which switches the motor off in case of excessive usage. After a cool-down period, the VC-S3 will return to its fully operational status.



After use tip: We highly recommend to remove the vacuum arm from its position on the flange and switch the vacuum motor on for 15-30s in order to blow away all the remaining liquid from the motor and the whole system. This will help to keep all internal parts of the unit dry and significantly lower the possibility to be affected with rust. For the same reason it is also not recommended to pack the VC-S3 back into its plastic bag from original packaging.

Maintenance and cleaning

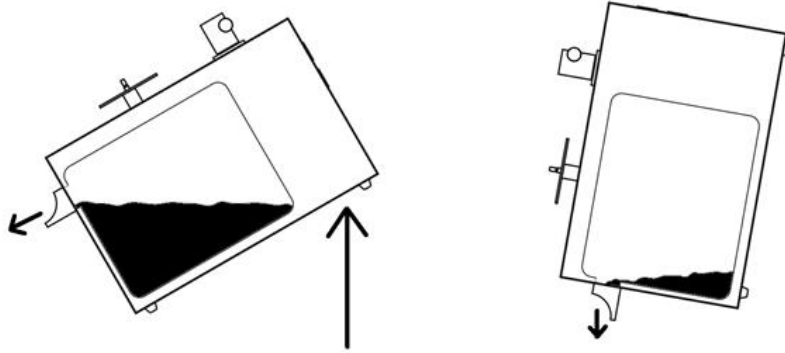


Prior to maintenance, always disconnect the record cleaning machine from the power outlet!

Your record cleaning machine requires little to no regular maintenance.

A water level gauge is located on the left side of the unit, below the air outlet hole. The internal tank has a substantial capacity and subsequently takes a very long time to reach full capacity. Common home use of the unit DOES NOT require to empty the tank. The tank is there to catch the drained cleaning liquid, and the large surface on the inside and oversized capacity allows the drained liquid to evaporate faster than in a much smaller tank. In rare cases when the water level reaches the point marked " ←MAX", the tank should be emptied:

1. Remove ventilation outlet grille (4)
2. Place the drain insert spout into the hole (drain insert is included in the accessories) and make sure it sits there tightly, so no fluid can reach the inside of the device.
3. Lift the opposite side of the VC-S3 ALU up to drain the unit reservoir to a big container.
4. Remove the spout and attach the ventilation outlet grille back to its place.



Regularly check the velvet strips on the arm. Make sure they are clean, no dirt or debris is present.

Potential incorrect use and fault conditions

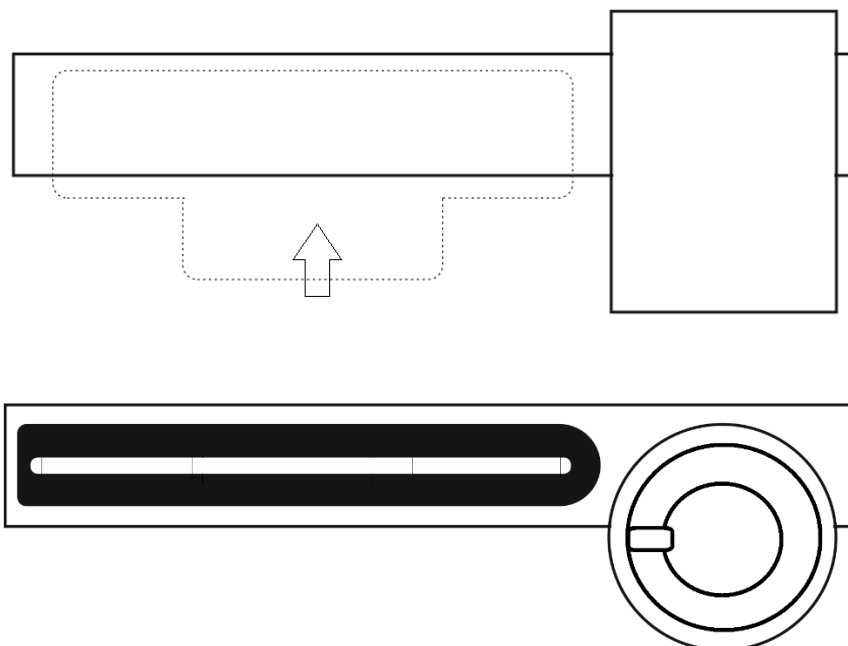
Pro-Ject products are manufactured to the highest standards and undergo strict quality controls before leaving the factory. Faults that may possibly occur are not necessarily due to material or production faults but can sometimes be caused by incorrect use. Some of these faults are as follows:

The platter doesn't turn although the unit is switched on:

- The power cord is not connected to the unit.
- The power cord is not plugged in to the AC wall outlet.
- Broken fuse in the main switch.
- Overheating protection is active.

How to replace vacuum arm strips

Remove the old strip from the vacuum arm and clean the residue of the glue. A transparent plastic tool is included with the strips in the accessory box, insert the tool fully into the groove and it will help you to place the new strip into its position on the arm.



Service

Should you encounter a problem which the above information does not able to alleviate or identify, please contact your dealer for assistance.

Guarantee repairs will only be affected if the unit is returned correctly packaged. For this reason we recommend keeping the original packaging.

Never return a record cleaning machine without making sure that is it safely disassembled and correctly packaged in the original packaging.

Warranty



The manufacturer accepts no responsibility for damage caused by not adhering to these instructions for use and/or by transportation without the original packaging. Modification or change to any part of the product by unauthorized persons will void the manufacturer's warranty. Most Pro-Ject products – unless expressly advertised otherwise – are intended for domestic use only. Using them for business applications are done so at your own risk.

Pro-Ject Audio Systems is a Registered Trademark of H. Lichtenegger.

This guide was produced by: Pro-Ject Audio Systems
Copyright © 2022. All rights reserved.

The information was correct at the time of printing. The manufacturer reserves the right to make changes to the technical specification without prior notice as deemed necessary to uphold the ongoing process of technical development.

Declaration of Conformity

We, declare under our responsibility that the product is in conformity with the provisions of Directives:
2014/35/EU including amendments
2014/30/EU including amendments

The following harmonised standards were applied:

EN 60335-1:02+A1:04+A11:04+A2:06+A12:06+A13:08+A14:10+A15:11

EN 60335-2-2:10+A11:12+A1:13

EN 55014-1:06+A1:09+A2:11

EN61000-3-2:14

EN61000-3-3:13

EN55014-2:97+A1:01+A2:08

Pro-Ject Audio Systems a division of Audio Tuning GmbH

1050 Vienna, Austria, Margaretenstrasse 98

info@project-audio.com