

LUXMAN

INTEGRATED AMPLIFIER
L-505Z



Heartfelt sound

New criteria that redefines the standard

Designed in honor of our L-505 amplifier, which continues to fascinate many audio enthusiasts as possibly our most familiar hi-fi model and equipped with our newly developed “LIFES” amplifier feedback engine, which is at the core of LUXMAN’s contemporary designs, we would like to complete the Z series circle with the L-505Z.

While inheriting all the high-quality sound and design know-how from our higher-end models, it has achieved even more as a multifunctional integrated amplifier.

Redefining the standard and now entering a new era,

the L-505Z invites you into the world of exciting high-end audio.

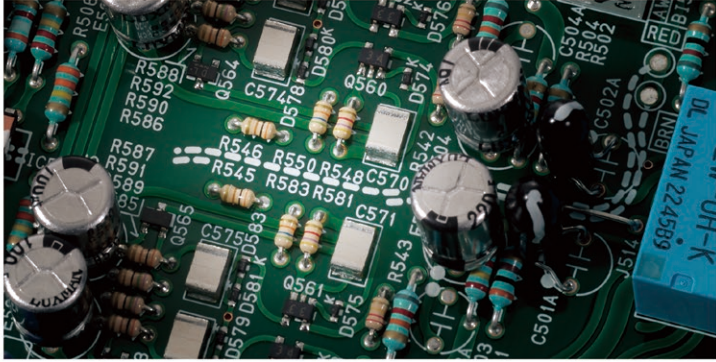
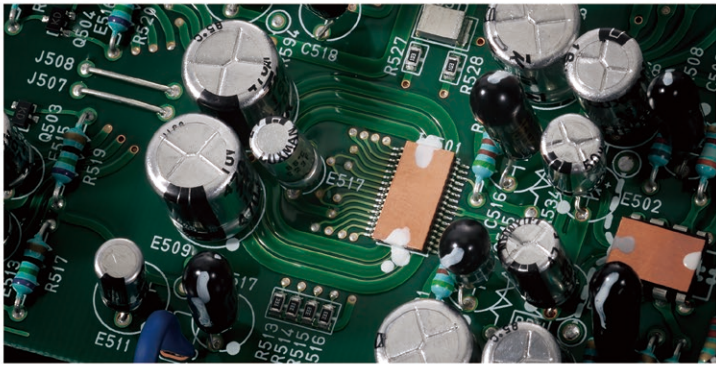


Our latest amplification feedback engine brings music to life with LIFES Version 1.0



The L-505Z, like the L-509Z and L-507Z, is equipped with our “LIFES” high quality amplification feedback engine, a feature integral to our next generation of amplifier designs. LIFES is based on the technical concept of our revolutionary ODNF feedback circuitry, which achieved excellent static characteristics without feeding back any of the musical input signal to the main amplifier, yielding a natural sound quality more akin to a non-feedback system. The circuit has been redesigned from scratch through multiple simulations. By combining carefully selected components and through repeated listening tests, we have achieved the ultimate performance and sound quality, truly worthy of being adopted for LUXMAN’s next-generation components. In LIFES Version 1.0, the entire circuit has been reconstructed and simplified, improving performance, whilst also successfully reducing the number of parallel elements, reducing distortion during amplification to less than half. The output stage uses a parallel push-pull configuration with bipolar transistor elements, achieving ample Class AB power of 100W+100W (8Ω) and 150W+150W (4Ω).

*LIFES stands for “Luxman Integrated Feedback Engine System”.
*ODNF stands for “Only Distortion Negative Feedback”.



Electronically controlled attenuator LECUA

The volume control section is crucial to both the functionality and performance of an integrated amplifier and requires dedicated signal processing. The L-505Z is equipped with LUXMAN's original, high-clarity LECUA* electronically controlled attenuator, which has been significantly downsized by adopting a solid-state (IC) circuit configuration. LECUA is an ideal level control system that minimizes variations in audio quality and enables smooth and detailed volume adjustment over 88 steps. The LR balance adjustment control also relies on LECUA's volume shift function. Despite multitasking, LECUA succeeds in minimizing deterioration of sound quality across the full range of the volume control. Intuitive operability is maintained while linked with operations from the remote control. A traditional rotary volume knob achieves that weighty, tactile response and operational feel enthusiasts will enjoy, combining convenience with pleasing operability.

*LECUA stands for "Luxman Electronically Controlled Ultimate Attenuator".

Discrete buffer circuitry for preamp

The concept of a "power amp driver" is fundamental to the design of a preamp section, outputting an energy-rich signal is its ideal state of operation. The L-505Z is equipped with discrete buffer circuitry and high current supply capability at the output of the preamplifier stage, maintaining the fidelity of delicate musical signals whilst significantly enhancing the driving energy and performance of the power amplifier stage. The input selector switch controls a switching IC with excellent separation and low crosstalk. Proudly joining our latest Generation Z series, the L-505Z has achieved a dramatic development in musicality that far surpasses its class. In addition, responding to the reestablishment of vinyl record playback as an important contemporary source, a high-quality MM/MC compatible phono EQ amp circuit with a parallelized first stage is provided to realize supreme analog playback similar to our other high-end components.



Highly regulated power supply circuit

The power supply is the beating heart of an amplifier and must supply instantaneous current and stable output voltages. The L-505Z is equipped with LUXMAN's traditional, highly stable, 540VA large-capacity, EI type power transformer, combined with four custom-made 10,000µF filter capacitors. This combination provides the instantaneous energy required to faithfully reproduce the most radical or gentlest of musical dynamics and maintain a stable voltage supply under any load fluctuations.



Large needle VU level meter and 7-segment LED

Like our higher-end models, the L-505Z is equipped with large needle-type VU meters, highly visible with white LED back-lighting, that smoothly follow changes in the music signal. Between the left and right meters, a new 7-segment LED level display has been installed, allowing you to check the current volume level from your listening position. Using the remote control, you can turn the meter lighting and 7-segment LED on and off as you like.

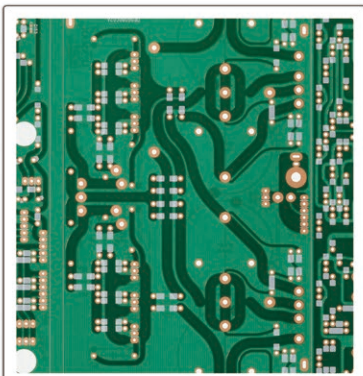
Headphone terminals with independent grounding

The L-505Z's high-quality headphone playback functions support the most intimate of listening environments. In addition to a standard $\phi 6.3\text{mm}$ terminal, the L-505Z has a new $\phi 4.4\text{mm}$ terminal with independent left and right ground wiring and separate unbalanced amplifiers, vastly improving left-to-right separation. By connecting compatible headphones and cables, the listener can enjoy further enhanced, three-dimensional, high-quality playback.



Various functions and in/output terminals

The L-505Z has our proprietary tone controls, loudness, LR balance adjustment and a separate function, facilitating bi-amp configuration with an additional power amplifier or coexistence with an AV amplifier set-up, all in one unit. On the rear panel, the 18mm pitch RCA input/output terminals offer compatibility with high quality cables with large plugs, and the robust speaker terminals with an in-line layout (same LR characteristics) are compatible with Y-lugs and banana plugs.



LUXMAN's original technology

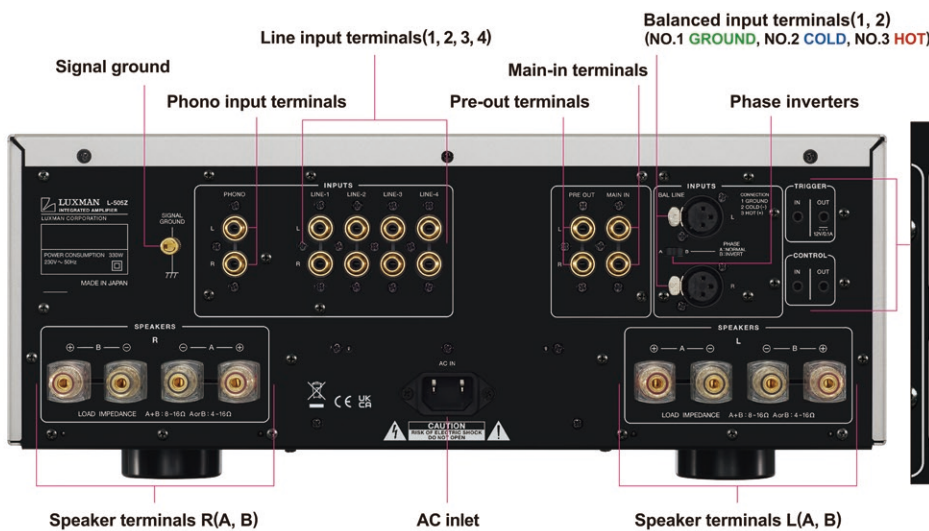
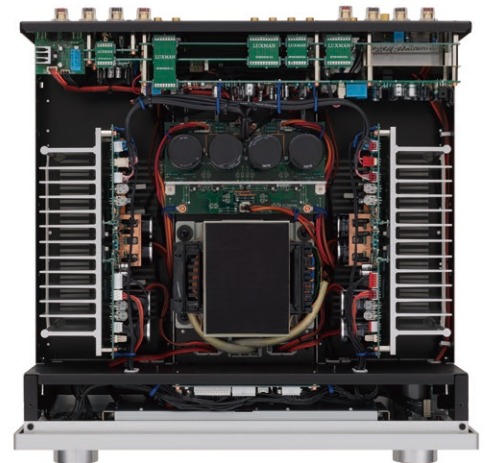
The L-505Z is designed with sound quality as the top priority in every detail, including the non-angled wiring on the circuit boards that ensures smooth current transmission. "Bee-Line" construction informs component location, offering the most logical and shortest route for audio signals to travel. Internal wiring using OFC copper cable that ensures natural signal transmission with spiral wrap shielding for each non-plated core wire, and a loop-less chassis structure which suppresses increases in ground impedance.



Multi-functional remote control

The substantial, ergonomic aluminum remote control can also operate compatible LUXMAN CD players released after 1996.

L-505Z INTEGRATED AMPLIFIER



12 Volt trigger input / output terminal
Powering on and off compatible devices can be achieved via connections over a commercially available 3.5mm monaural mini jack cable.

Control input / output terminal
Remote control operations can be sent to a compatible LUXMAN product connected via commercially available 3.5mm monaural mini jack cable.



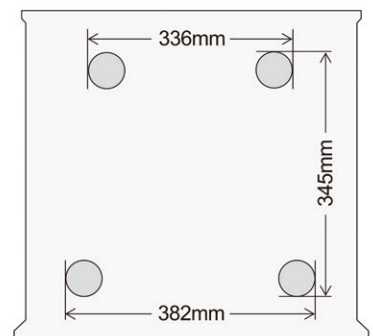
*Rear panel : European Model

SPECIFICATIONS

Rated output	100W + 100W (8Ω), 150W + 150W (4Ω)
Input sensitivity/ input impedance	PHONO (MM) : 2.5mV/47kΩ PHONO (MC) : 0.3mV/100Ω LINE : 180mV/47kΩ BAL.LINE : 180mV/55kΩ MAIN IN : 1V/47kΩ
Output voltage	PRE OUT : 1V
Frequency response	PHONO : 20Hz to 20kHz (±0.5dB) LINE : 20Hz to 100kHz (within -3dB)
Total harmonic distortion	0.009% or less (8Ω, 1kHz) 0.09% or less (8Ω, 20Hz to 20kHz)
S/N ratio (IHF-A)	PHONO (MM) : 87dB or more PHONO (MC) : 70dB or more LINE : 104dB or more
Volume adjustment	LECLUA
Amplification feedback circuit	LIFES 1.0
Output configuration	Bipolar parallel push-pull
Damping factor	200

Max. amount of tone control	BASS: ±8dB at 100Hz TREBLE: ±8dB at 10kHz
Power supply	230V~(50Hz) / 115V~(60Hz)
Power consumption	330W 90W (under no signal), 0.5W (at standby)
External dimensions	440(W) x 178(H) x 454(D) mm front side knob of 20mm and rear side terminal of 27mm included in depth
Net weight	22.5kg (main unit)
Accessories	Remote control (RA-17A) Power cable
Speaker terminal Supported Y-lug terminal dimension	Width of part a: 15mm or less Width of part b: 8mm or more

* Connection may not be performed depending on the shape of the Y-lug terminal.



* Slide the phase selector switch to the INVERT position to make the balanced input terminals pin No 2 to change to **HOT**, and No. 3 to **COLD**.
* Meter lighting, monaural, subsonic, and loudness can be switched with the remote control.

* Specifications and appearance are subject to change without notice. * The products listed in this catalog do not include line cables. Please purchase cables separately.

LUXMAN

LUXMAN CORPORATION, 1-3-1 Shinyokohama, Kouhoku-ku, Yokohama-shi, Kanagawa 222-0033, Japan
Tel: +81-45-470-6980 Fax: +81-45-470-6997 www.luxman.com

LUXMAN reserves the right to alter the design and specifications without notice.
All rights reserved LUXMAN CORPORATION



⚠ Safety Cautions

To ensure correct use of this product, read the "Owner's Manual" prior to use. Failure to follow all safeguards can result in fire, electric shock, or other accidents.